

5 (VERY GOOD) REASONS TO BUY A GAS FORGE

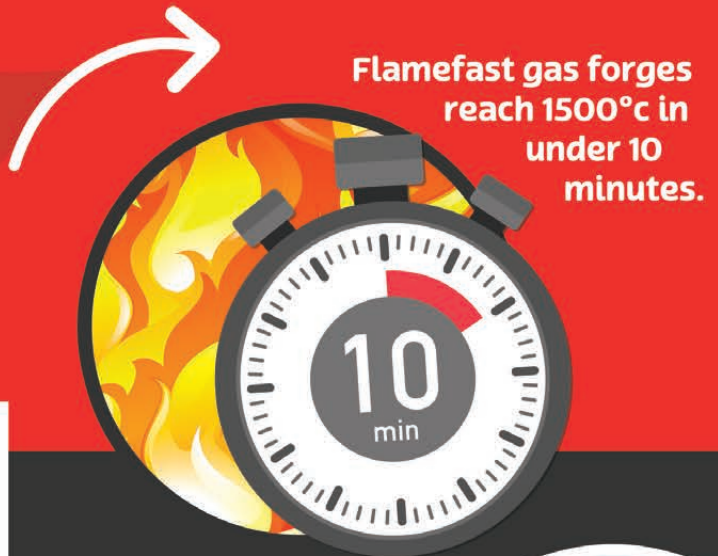
Flamefast have been manufacturing gas forges since 1980 for the education sector both in the UK and overseas. **But what about those who know their passion and need reliable equipment at home?**

Flamefast have created a ceramic chip gas forge that allows professionals and hobbyists alike to work with a modern, clean, and inexpensive piece of equipment that is hard working and compact.

To find out more about the Flamefast Forge and pricing please contact our UK factory.

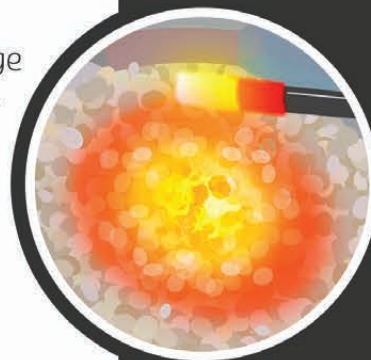
flamefast

sales@flamefast.co.uk
+44 (0) 1925 281230



Flamefast gas forges reach 1500°C in under 10 minutes.

You can use a gas forge in 'smoke free zones' such as towns and cities.



There is much less mess and cleaning involved.

Gas fuel is easy to source and is inexpensive.



You can own a Flamefast gas forge for as little as £1850*.

The Flamefast DS430H Ceramic Chip Forge is an ideal replacement for the traditional coke forges.



| OVERVIEW |

The system is based on the Flamefast technology which has been in schools for over 40 years but with the hobbyist and professional forger in mind. It eliminates the increasing problems with the sourcing of suitable coke, disposing of the waste and issues with toxic fumes.

The unit can be run on LPG Bottled Gas. The forge has a single phase whisper quiet integral fan to provide the air supply and takes only 10 minutes to reach working temperature of 1,500°C, has a 340mm diameter working area and can work up to 50mm steel bar. The ceramic chip technology minimises surface scale formation.

| KEY FEATURES |

- Requires manual restart after power failure
- Ceramic hearth
- Full manual control of hearth conditions
- Whisper quiet air blower fan
- Gas non-return valve
- 12.5Kg of ceramic chippings
- Operation/Instruction manual
- Side and rear heat shields
- Rake iron
- Can reach temperatures of 1500°C in under 10 min - ideal for forge/fire welding
- Produces a clean and consistent heat
- Easy to use especially for beginners

ACCORDING TO THE HEALTH & SAFETY AT WORK ACT 1974, BS 4163 AND COSHH REGULATIONS IT IS MANDATORY THAT ALL FUMES MUST BE REMOVED AT SOURCE.

flamefast | **EDUCATION**
Engineering Equipment for Education

* Images are for reference only and may differ from the final product
** Flamefast reserves the right to change product specification without prior notice

HOBBY FORGE DS430H



Dimensions

Height	1080 mm
Width	720 mm
Depth	560 mm
Weight	133 kg

Optional Extras

- *Fume extraction equipment to meet the requirements of COSHH Regulations
- *IMPORTANT: Fume Extraction is mandatory as per HSG258 / COSHH regulation. Please contact us for advice and cost.**

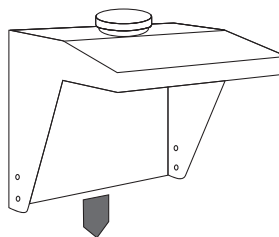
Performance

GAS TYPE	RATE	BTU/HRS	KW	PRESSURE
Natural Gas	2.14 m ³ /h	77000	22.6	20 mbar
Propane	1.26 kg/h	77000	22.6	35 mbar
Butane	1.26 kg/h	77000	22.6	28 mbar
Electrics	50 Watts - 220-240 volt single phase			

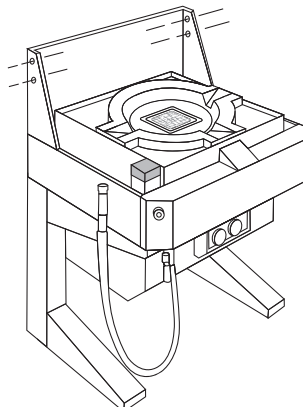
Varivac Extraction

The Varivac's unique fume intake configuration captures all fumes and prevents any spillage. An electrical interlock prevents the use of linked equipment before the Varivac is switched ON. It can be fitted to existing equipment if required with a choice of low level or high rise exhaust outlets.

To fit Varivac Extraction



Place Varivac canopy around the outer rear top of the Ceramic Chip Forge and bolt through the corresponding holes in both units.



Flamefast UK Ltd is accredited by:



T: 01925 281 230 • E: sales@flamefast.co.uk
W: www.flamefast.co.uk